

1140497
AP 150 40MT 230V 50HZ

3234277_1140497_R07W - R07W (17/1/2022)



Access Platform Division

Via San Francesco d'Assisi, 8 - 46020 Pegognaga (Mantova) - ITALY Tel. +39 0376
554011 - Fax +39 0376 559855

www.imergroup.com

Building Equipment Division

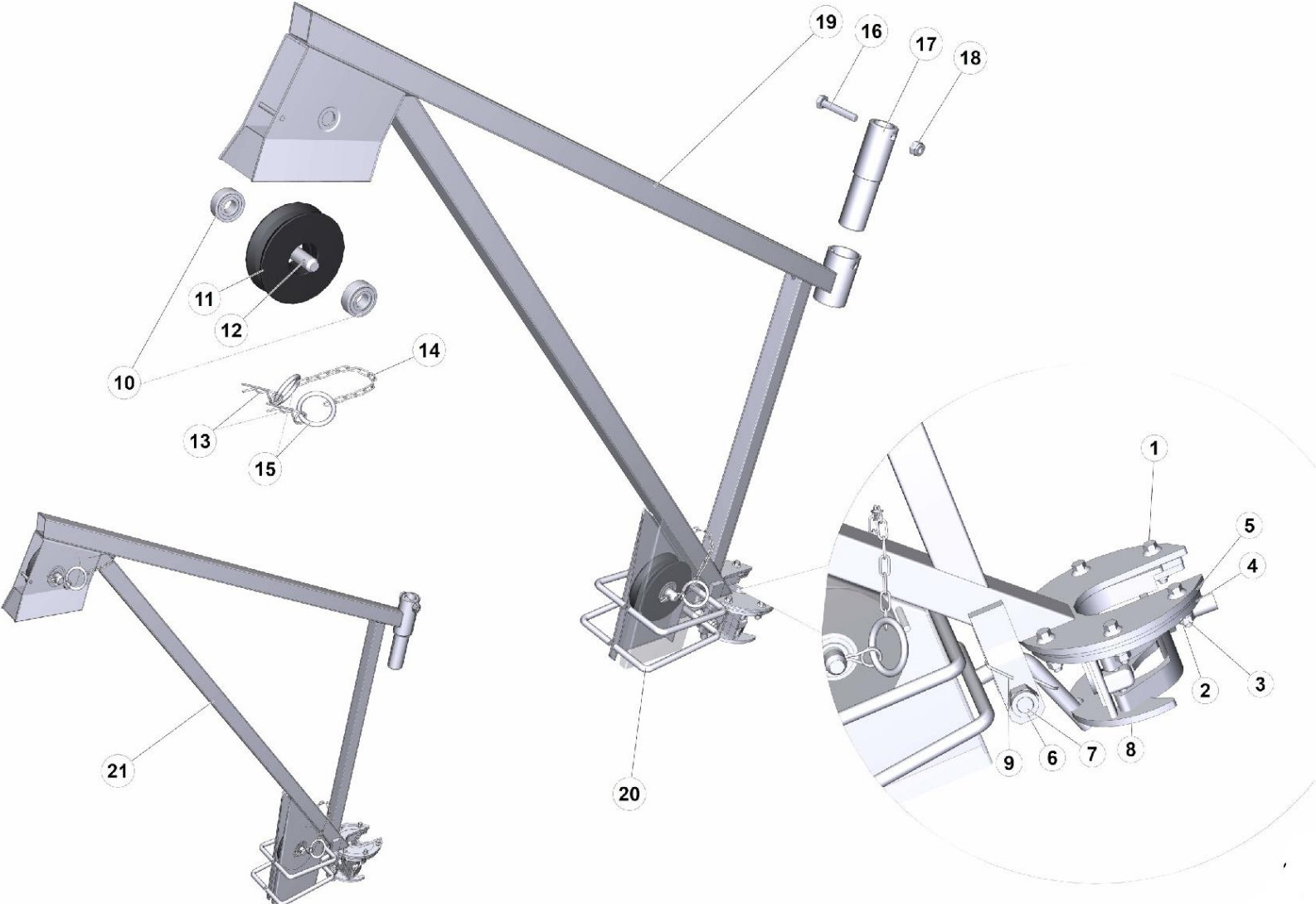
Via della Meccanica, 39 (Zona Industriale Sentino) - 53040 Rapolano Terme
(Siena) - ITALY - Tel. +39 0577 97341 - Fax +39 0577 704077

www.imergroup.com

www.imerglobalcustomercare.com



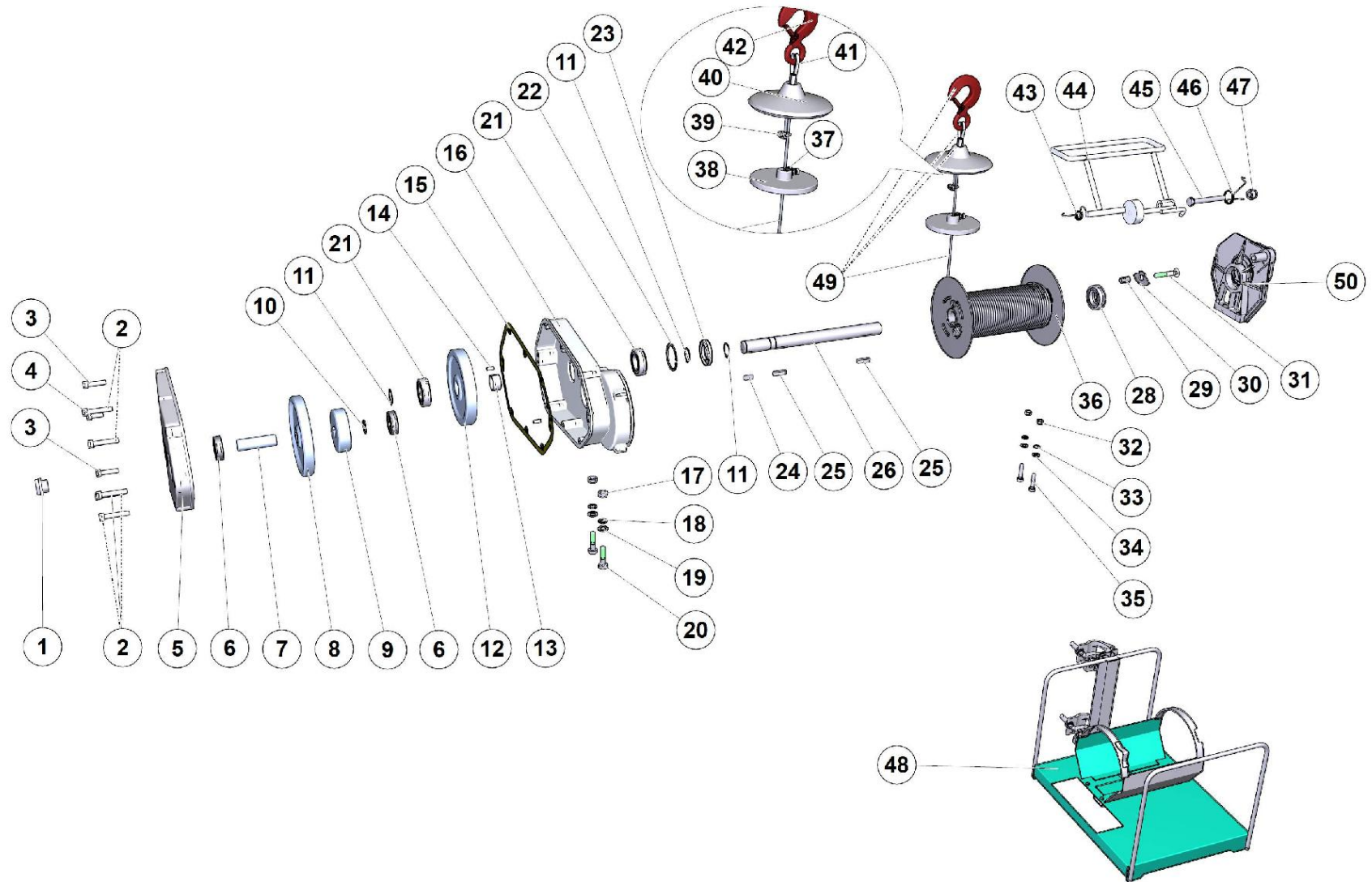
ROTARY JIB





N.	CODE	DESCRIPTION	UM	QTY
1	2222023	SCREW	PZ	1.0
2	2224055	ROLLER	PZ	1.0
3	2223280	NUT	PZ	1.0
4	3204623	Blade		1.0
5	3204622	Blade		1.0
6	2223921	NUT	PZ	1.0
7	2222008	SCREW	PZ	1.0
8	3204642	COUPLING		1.0
9	2231410	SPRING	PZ	1.0
10	2204241	Bearing	PZ	1.0
11	3223066	AP60 / 120 SWIVELLING BRACKET CABLE PULL	PZ	1.0
12	3204375	Pin	PZ	1.0
13	2226710	SPLIT PIN	PZ	1.0
14	3204957	CHAIN	PZ	1.0
15	2227048	CLIP/CONC.MIXER	PZ	1.0
16	3204604	SCREW	PZ	1.0
17	1140496			1.0
18	2223920	SELF-LOCKING NUT	PZ	1.0
19	3204629	ARM		1.0
20	3204626	CLAMP	PZ	1.0
21	3204590	Jib	PZ	1.0

ROPE AND GEARBOX





N.	CODE	DESCRIPTION	UM	QTY
1	2235420	level	PZ	1.0
2	2222514	SCREW	PZ	5.0
3	2222513	SCREW	PZ	2.0
4	2222509	SCREW	PZ	1.0
5	3225254	GEARMOTOR FLANGE	PZ	1.0
6	2204440	Bearing	PZ	2.0
7	2201130	SHAFT	PZ	1.0
8	3213528	GEAR Z76 M1,75	PZ	1.0
9	3203971	GEAR WHEEL	PZ	1.0
10	2237301	SPACER	PZ	1.0
11	2227280	2227280 RING SNAP	PZ	3.0
12	3203972	GEAR WHEEL	PZ	1.0
13	2237299	SPACER	PZ	1.0
14	2228820	Gudgeon pin	PZ	1.0
15	2216331	GASKET	PZ	1.0
16	3225294	SHELL	PZ	1.0
17	2223650	NUT	PZ	2.0
18	2224074	2224074 WASHER LOCK	PZ	2.0
19	2224340	ROLLER/MORTAR PUMP	PZ	2.0
20	2222099	SCREW	PZ	2.0
21	2204550	Bearing	PZ	1.0

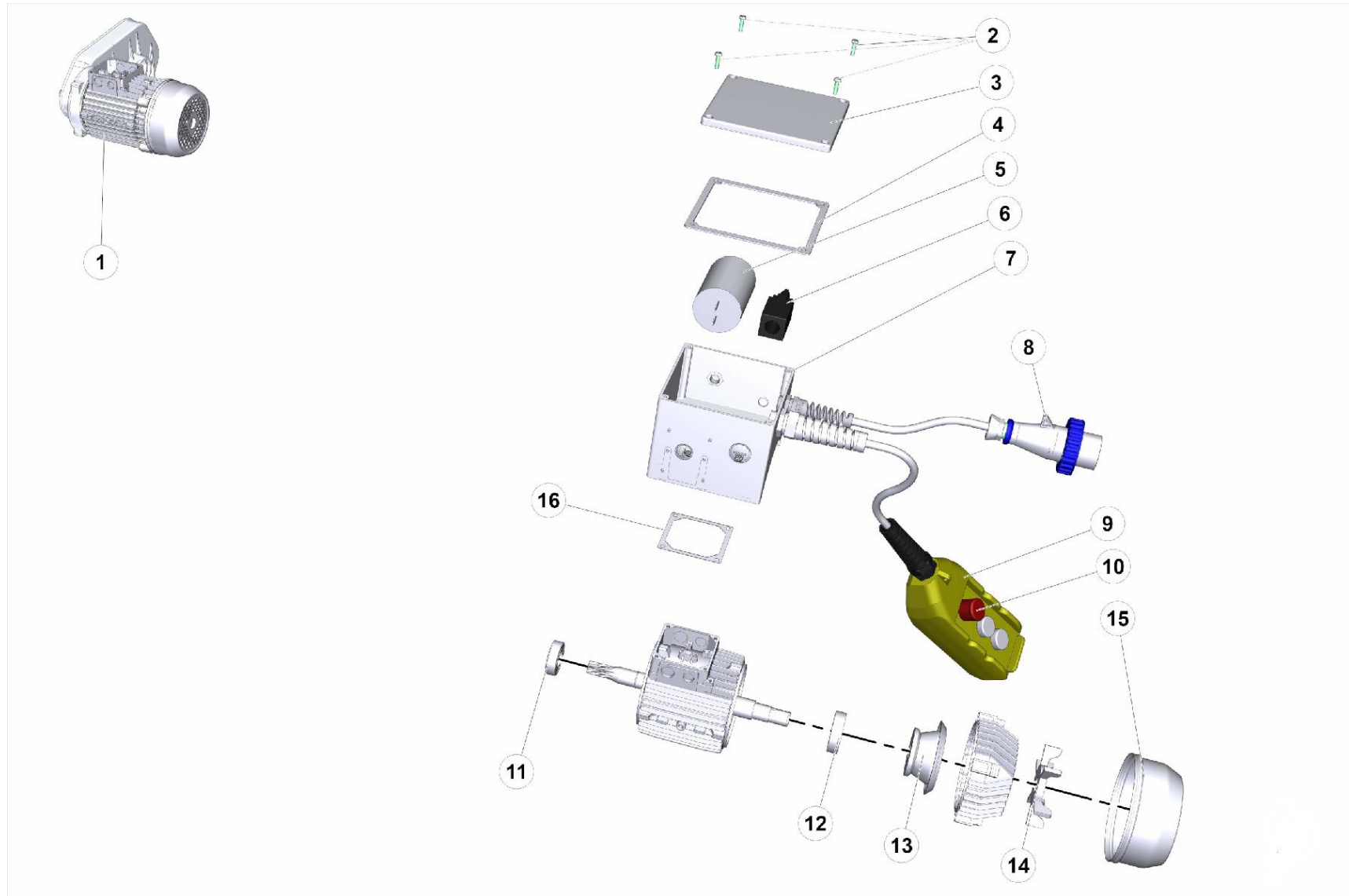


N.	CODE	DESCRIPTION	UM	QTY
22	2227700	STOP RING	PZ	1.0
23	2207355	STOP RING	PZ	1.0
24	2229450	KEY	PZ	1.0
25	2229400	KEY	PZ	2.0
26	3233718	SHAFT DRUM 39NICRMO3 BONIF. ET1000	PZ	1.0
28	2204391	Bearing	PZ	1.0
29	3228899	THREADED INSERT M10 39006-70035 EUROSERT		1.0
30	3237305			1.0
31	3236947	SCREW TSPEI 10.9 5933 10X 55 Z		1.0
32	2223570	NUT	PZ	2.0
33	2224060	ROLLER GROWER	PZ	2.0
34	2224140	ROLLER 6593	PZ	2.0
35	2222018	SCREW	PZ	2.0
36	3237299	DRUM D101,6 ET 1000 GALVANIZED	PZ	1.0
37	3234158	PLATE	PZ	1.0
38	3234151	LIMIT SWITCH AP 150	PZ	1.0
39	2239400	TERMINAL/MN	PZ	1.0
40	3234443	AP150 PAINTED COUNTERWEIGHT	PZ	1.0
41	2238397	THIMBLE		1.0
42	2213267	HOOK	PZ	1.0
43	3235689	SPRING DOWN LIMIT SWITCH TR 225 VN	PZ	1.0



N.	CODE	DESCRIPTION	UM	QTY
44	3234156	LIMIT SWITCH LEVER AP 150 PAINTED	PZ	1.0
45	3211076	BOLT	PZ	1.0
46	3225319	SPRING	PZ	1.0
47	2223921	NUT	PZ	1.0
48	3234150	PAINTED FRAME AP 150	PZ	1.0
49	3234292	KIT HOOK + ROPE 4X81M+FERULA *AP150	PZ	1.0
50	2203155	SUPPORT	PZ	1.0

ELECTRIC MOTOR AND PENDANT





N.	CODE	DESCRIPTION	UM	QTY
1	3231774	SELF-BRAKING MOTOR 0.8KW 230V-50HZ ET150	PZ	1.0
2	2222461	SCREW/MN	PZ	4.0
3	3224575	ELECTRICAL BOX COVER TR-ET N	PZ	1.0
4	3224714	GASKET	PZ	1.0
5	3231853	CAPACITOR MF. 65 V450 D60X90 FASTON M12	PZ	1.0
6	3200005	DOWN LIMIT SWITCH	PZ	1.0
7	3234136	AP 150 ELECTRIC BOX	PZ	1.0
8	3203504	PIN	PZ	1.0
9	3231738	PUSH BUTTON PANEL 3P 30A 3NO+1NC + M25 D	PZ	1.0
10	3234223	'EMERGENCY BUTTON "K" ELEVATOR PUSH BU	PZ	1.0
11	2204391	Bearing	PZ	1.0
12	3208952	BEARING/MN	PZ	1.0
13	3225012	BLOCK FOR BRAKE	PZ	1.0
14	3225019	MOTOR FAN	PZ	1.0
15	3225020	MOTOR FAN COVER 4369 230V BE200	PZ	1.0
16	2216321	GASKET	PZ	1.0



Access Platform Division

Via San Francesco d'Assisi, 8 - 46020 Pegognaga (Mantova) - ITALY Tel. +39 0376 554011 - Fax +39 0376 559855

www.imergroup.com

Building Equipment Division

Via della Meccanica, 39 (Zona Industriale Sentino) - 53040 Rapolano Terme (Siena) - ITALY - Tel. +39 0577 97341 - Fax +39 0577 704077

www.imergroup.com